

Canara Lighting Industries and John Rossetti Lighting

NEW GRIP RANGE

DROP ARMS

Two series of professionally manufactured drop arms

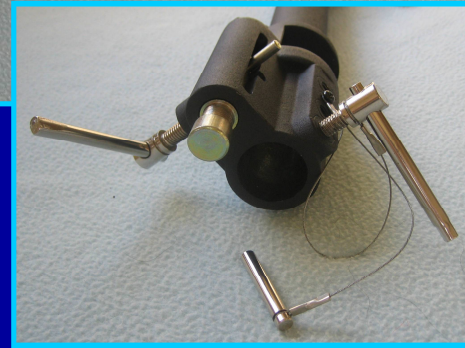
Single Section Fixed Length

- EXTD 12 12"
- EXTD 24 24"
- EXTD 36 36"
- EXTD 48 48"

Multi Section Variable Length

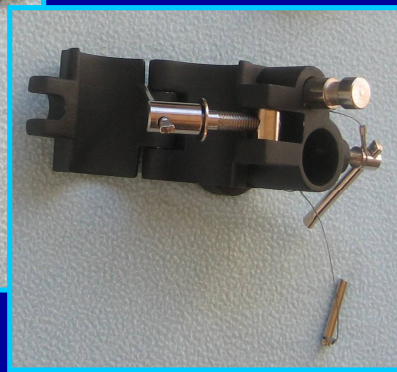
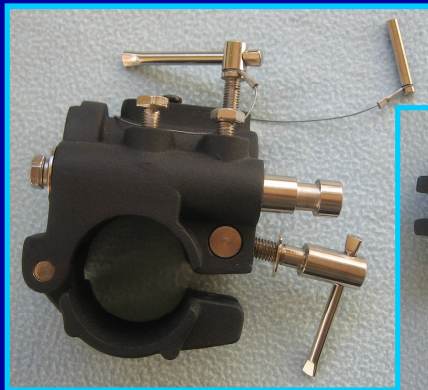
- EXTD 1622 2 section 16" - 22"
- EXTD 1624 2 Section 16" - 24"
- EXTD 1936 2 Section 19" - 36"
- EXTD 2848 2 Section 28" - 48"
- EXTD 2448 3 Section 24" - 48"
- EXTD 3696 3 Section 36" - 96"

Highest quality materials used throughout
 Safety Pins and bonds included
 Dual 16mm and 28mm receptor
 28mm Male end to Barrel Clamp
 Maximum safe load 40kg

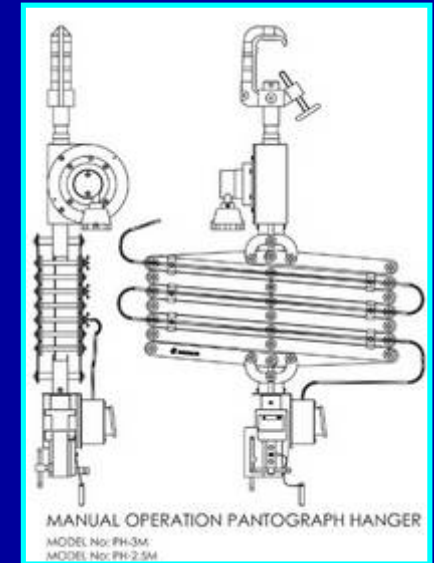


ABC 10 Alloy Cast Dual Barrel Clamp (48.3 mm bar)

Barrel Clamp includes Dual 16mm Long Spigot



PO PANTOGRAPH



FLAG RANGE

Black or White Cutter Flags
 c/w Frame and 20" flexi rod

- CFB 2418 CFW 2418
- CFB 3624 CFW 3624
- CFB 4836 CFW 4836
- CFB 4848 CFW 4848

2 - 3 - 4 - 5 mtr versions
 Seperate brochure available

Canara Lighting is an iso9001 company

Available from

John Rossetti Lighting Pinewood Green (opposite studios) Iver Heath SL0 0QQ Bucks Tel +44(0)1753 653397 Fax +44(0)1753 655388 e-mail sales@johnrossettilighting.com